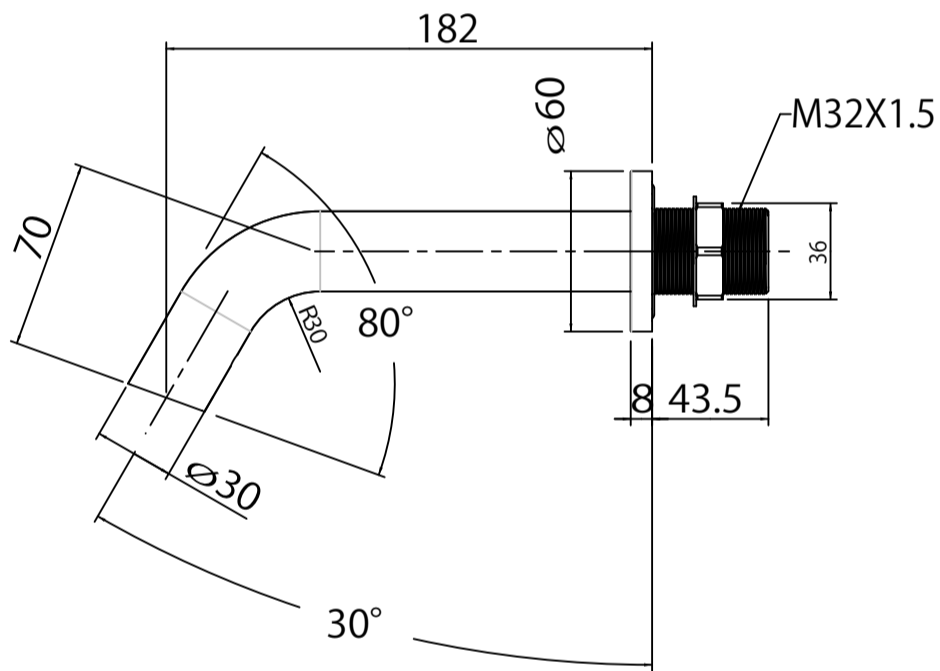
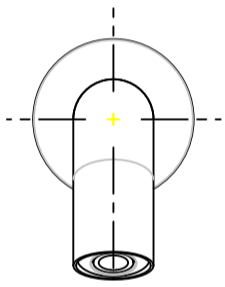
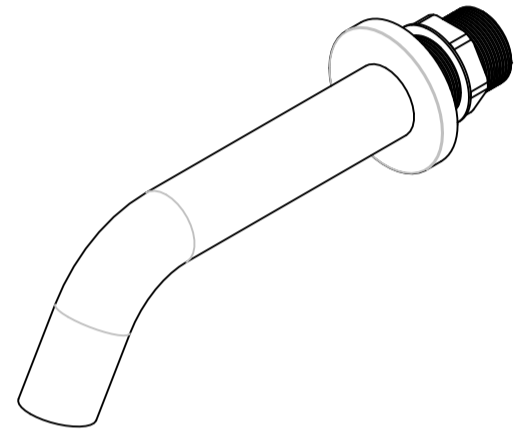


FLUSH PART	
NUMBER	REV.
SC-HTM-W	T1



SCALE 0.500



SCALE 0.500

DIMENSIONAL TOLERANCES				DRAWN BY: 07Nov18		FLUSH TECH <small>THESE DRAWINGS AND SPECIFICATIONS ARE THE PROPERTY OF FLUSH CO., LTD. AND SHALL NOT BE REPRODUCED OR USED AS THE BASIS FOR THE MANUFACTURE OR SALE OF APPARATUS OR DEVICES WITHOUT PERMISSION.</small>
0-4	±0.05	±0.1	±0.2	DESIGNED BY:		
5-15	±0.08	±0.15	±0.3	CHECKED BY:		
16-25	±0.12	±0.25	±0.5	APPROVED BY:		
26-50	±0.2	±0.4	±1	SCALE	F UNIT mm	
51-100	±0.4	±0.8	±1.5	TITLE: AUTO FAUCET		
ANGLES: ±0.5°				DOCUMENT NO. SC-HTM-W		
THREE ANGLE PROJECTION		A3	SIZE	USED ON: FOR TENCO	SHEET 2 OF 5	REV. T1